

Technical Data

Beam Angle	120°
Ambient Temp. (Ta)	-30...+50°C
Tp Rated	+65°C
Tc	+85°C
Eyesafety Report	EIC 62471
Life Test Report	EIS LM-80
LVD Test Report	EIC 62031
UL Compliant	E349212
Thermal Conductivity	1.05W/mk

SAMSUNG
On Board

LM281B+
2835

ANSI
C78.377A
Colour
Tolerance

System
Efficiency
183lm/W

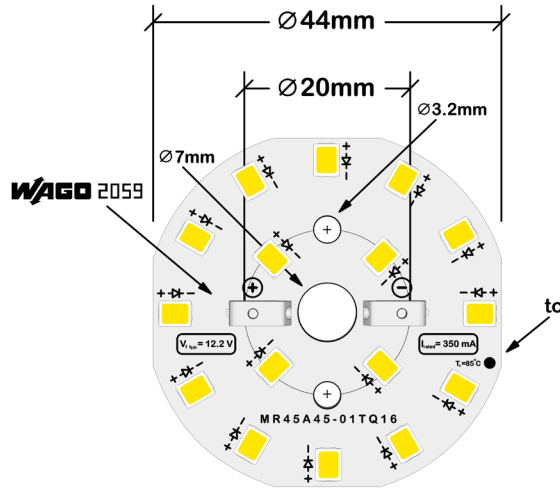
CRI80+

Constant
Current

ALU
Thermal
Material

Dimmable

CRI90+
Optional
Available



Product Code	LED Quantity	Vf typ.	If	Consumption (W)	Color CCT (Kelvin)	Luminous Flux(lm) Tp:25°C	Bin (Rank) Code	Efficiency of the Module
MR45A45-01TQ16	16 LED	11.2 V	250mA	2.8 W	2700K	470lm	SE	169lm/W
					3000K	490lm		174lm/W
					4000K	510lm		183lm/W
					6500K	510lm		183lm/W
	11.4 V	350mA	4 W	2700K	640lm	161lm/W		
				3000K	660lm	166lm/W		
				4000K	700lm	175lm/W		
				6500K	700lm	175lm/W		

* Production tolerance of luminous flux and efficiency: ±10%