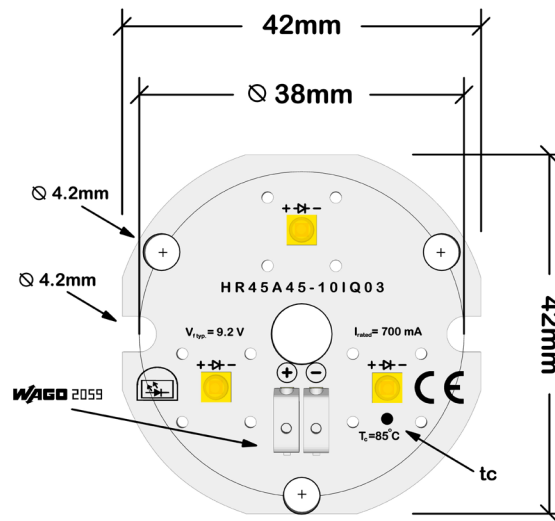
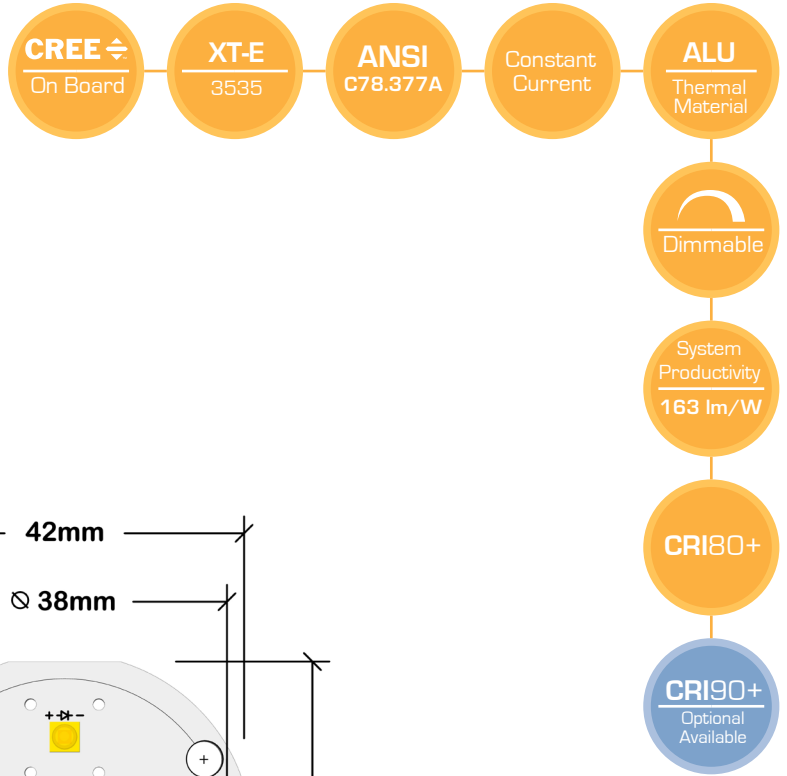


Technical Data

| | |
|-----------------------------|-------------|
| Beam Angle | 115° |
| Ambient Temperature (Ta) | -30...+50°C |
| Tp Rated | +65°C |
| Tc | +85°C |
| Photobiological Test Report | EIC 62471 |
| Life Test Report | EIS LM-80 |
| LVD Test Report | EIC 62031 |
| UL Compliant | E349212 |
| Thermal Conductivity | 1.0W/mk |



| Product Code | LED Quantity | Vf typ. | If typ. | Consumption (W) | Color CCT (Kelvin) | Luminous Flux(lm) | Bin Code | Productivity of the Module |
|----------------|--------------|---------|---------|-----------------|--------------------|-------------------|----------|----------------------------|
| HR45A45-10IQ03 | 3 LED | 8.6V | 350mA | 3W | 2700K | 425 lm | S20 | 142 lm/W |
| | | | | | 3000K | 460 lm | S30 | 153 lm/W |
| | | | | | 4000K | 490 lm | S40 | 163 lm/W |
| | | | | | 6500K | 490 lm | S40 | 163 lm/W |
| | | 8.9V | 500mA | 4.5W | 2700K | 595 lm | S20 | 132 lm/W |
| | | | | | 3000K | 640 lm | S30 | 142 lm/W |
| | | | | | 4000K | 685 lm | S40 | 152 lm/W |
| | | | | | 6500K | 685 lm | S40 | 152 lm/W |
| | | 9.2V | 700mA | 6.5W | 2700K | 795 lm | S20 | 122 lm/W |
| | | | | | 3000K | 845 lm | S30 | 130 lm/W |
| | | | | | 4000K | 910 lm | S40 | 140 lm/W |
| | | | | | 6500K | 910 lm | S40 | 140 lm/W |

* Production tolerance of luminous flux and efficiency: ±10%