


Product Specification

Product class	Item No	Material
Anti Dazzle Cover	DK-S80-GSZ	PC
LENS	DK-69-XX-REF-LM41-S	PC
Reflector	DK-69-34-REF-3H1	PC

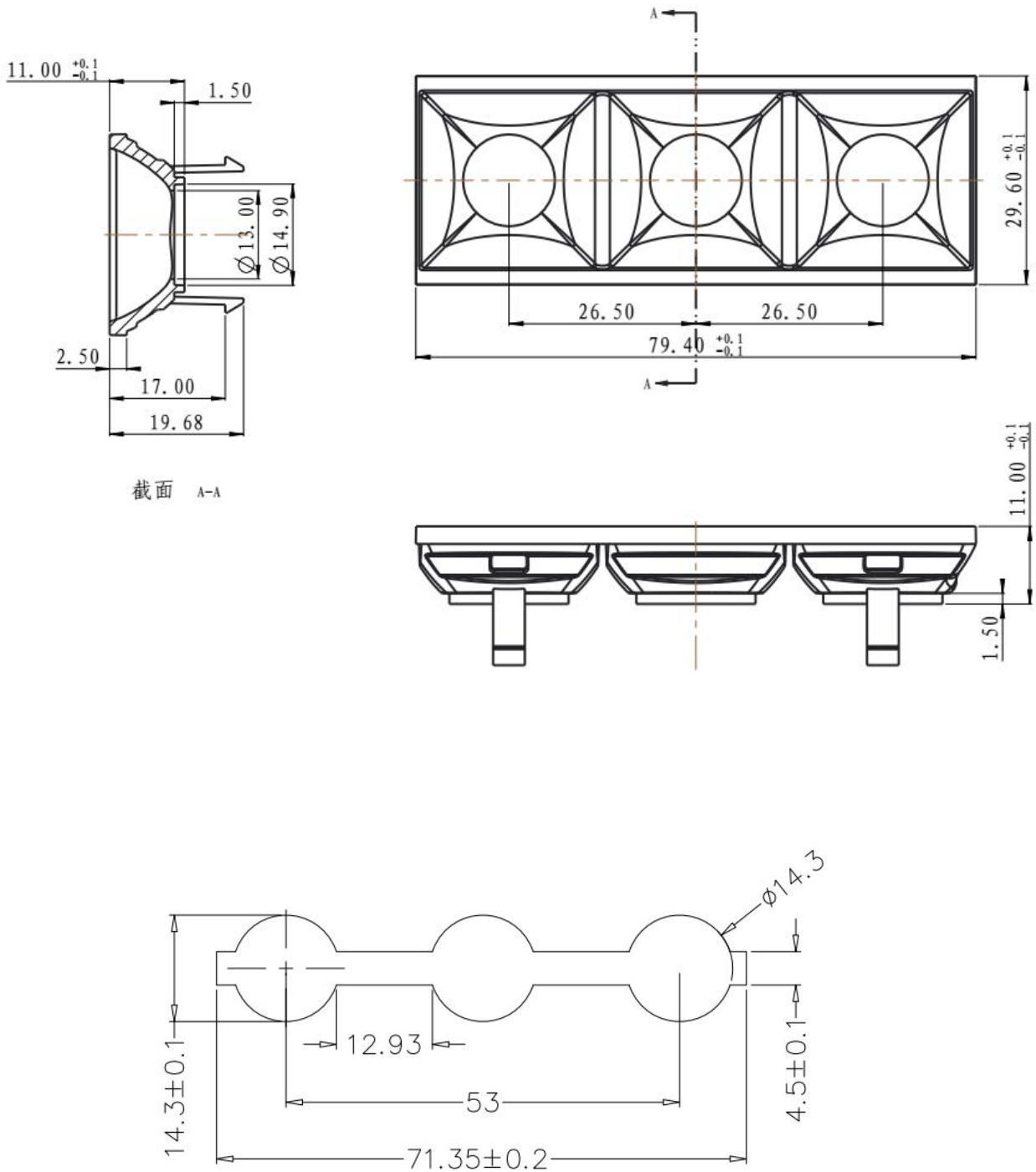
Content

Specification-----	3
2D Drawing-----	4-5
Optical Datasheet-----	6
Packing-----	7
Application Notes-----	8

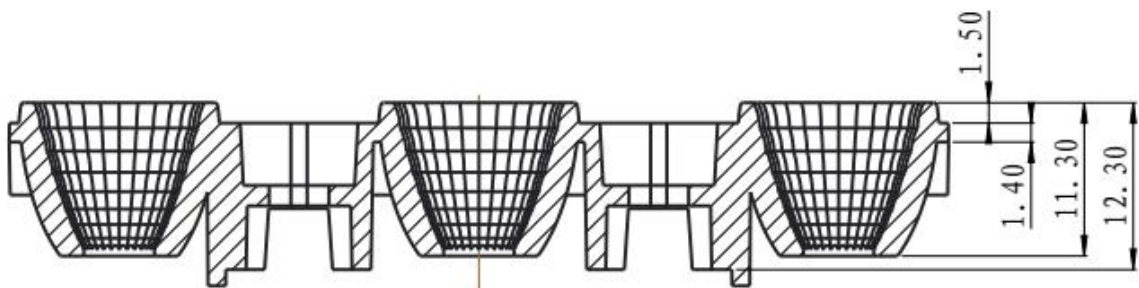
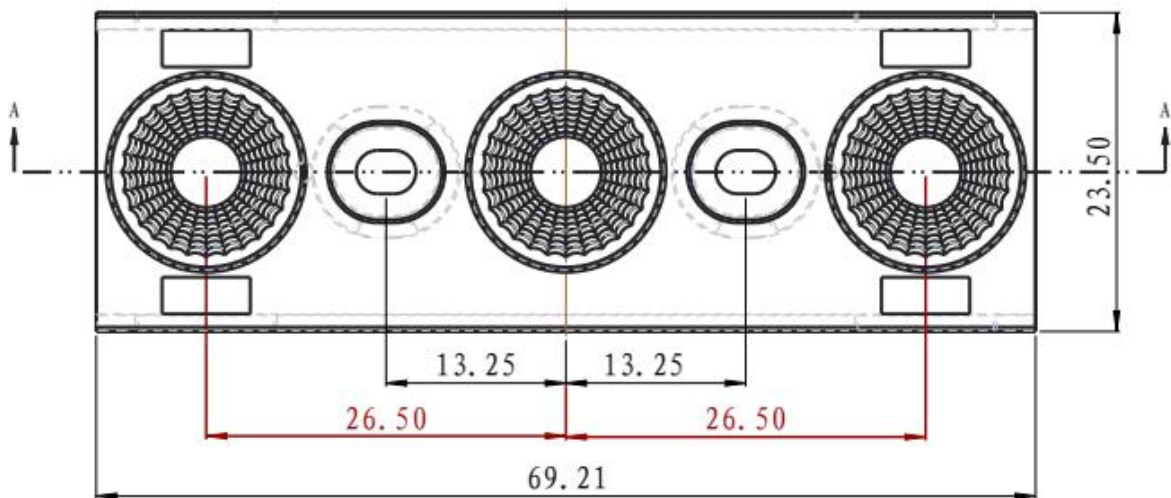
Specification

Item No	Picture	Size	Matched LED	Lighting Application
DK-S80-GSZ		Diameter: 79.4*29.6mm Height:19.68mm		
DK-69-XX-REF-LM41-S		Diameter: 71.5*14.3mm	3535	Spotlight Grille Lamp
DK-69-34-REF-3H1		Diameter: 69.21mm*23.5mm Height:12.3mm FWHM:34°		

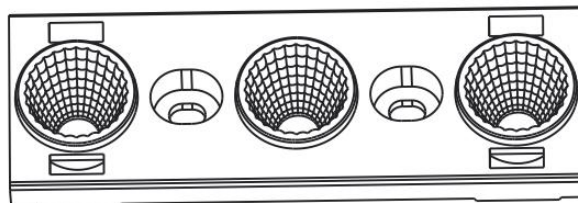
Drawing



Drawing



截面 A-A



Optical Test Report

产品特征

灯具种类:
 电压: 0.0 V
 功率: 0.00 W
 电流: 0.000 A
 功率因数: 0.000

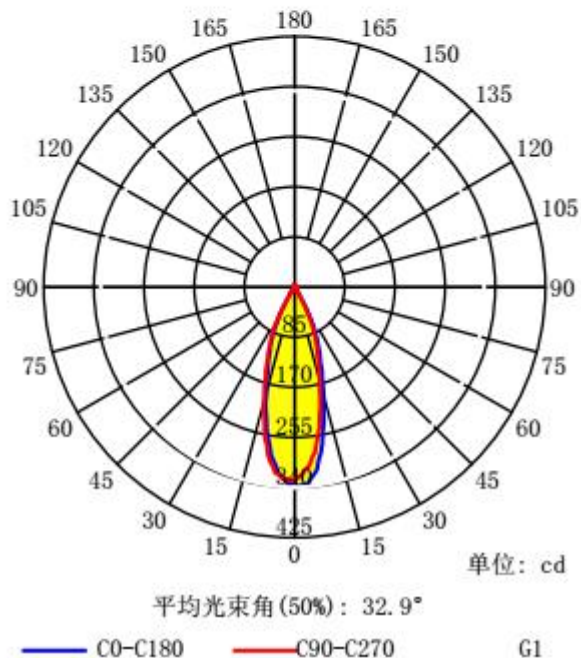
光度结果

灯具CIE分类: 直接型
 灯具光通量: 118.2 lm
 下射光通量比: 100%
 水平扩散角 (25%, 50%, 75%, 100%): H49.8, H32.8, H21.5, H1
 垂直扩散角 (25%, 50%, 75%, 100%): V49.8, V33, V21.9, V1
 灯具光效等级 (LER): 118
 峰值光强: 339.96 cd
 额定光通量: 118.2 lm
 灯具效率: 100%
 上射光通量比: 0%
 中心光强: 335.84 cd
 峰值光强位置: H0 V1

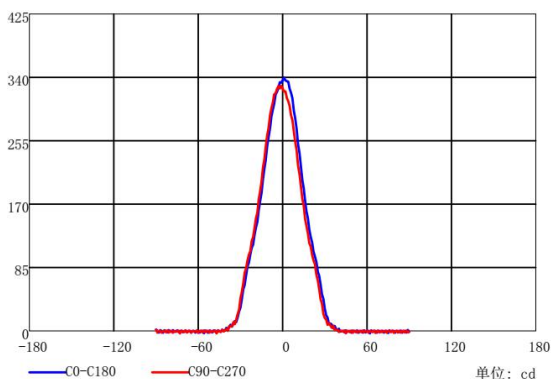
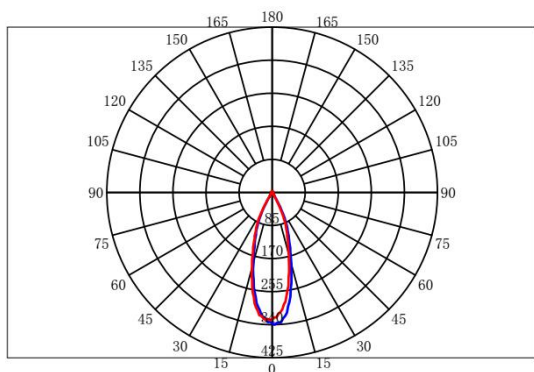
灯具实物照片



配光曲线



配光曲线



Packing

Material	Size	Packing Instruction
EPE	315*230mm	XXPCS/1 Box 4 Box/1 Carton
White Paperboard	A level; 400g; 310*235mm	
Box	335*245*105mm	
Carton	A=B 510*330*255mm	



Application Notes

- (1) Please use a little water and soft fabric (air-laid paper) to clean the product if necessary.
- (2) Forbid to use industrial solvent to clean the product, such as alcohol.
- (3) The working temperature is $-35^{\circ}\text{C}\sim+120^{\circ}\text{C}$.
- (4) Storage environment temperature is $0^{\circ}\text{C}\sim40^{\circ}\text{C}$, humidity is 30%~95%.
- (5) The product has the function to change the ray of light, it is made of optical material, the effect shall be influenced once pollute. Please do not open the packing before use it, to avoid the dust pollution.
- (6) Protect the product from the sun and other ultraviolet ray, as these will lead to aging, change color, crack, etc.
- (7) Please wear gloves once install the product, avoid to abrasion the product surface.
- (8) Forbid to use acidic or alkaline solution touch the product, avoid to generate the chemical reactions.