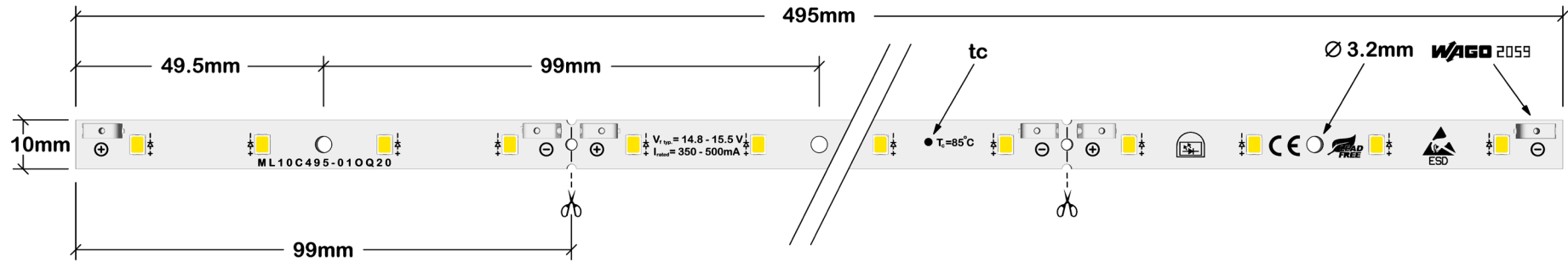
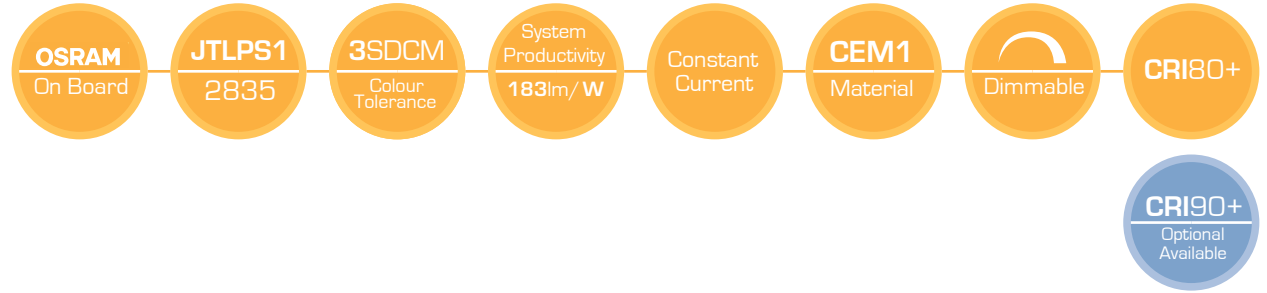


Technical Data

Beam Angle	120°
Ambient Temp. (Ta)	-30...+50°C
Tp rated	+65°C
Tc	+85°C
Eyesafety Report	EIC 62471
Life Test Report	EIS LM-80
LVD Test Report	EIC 62031
UL Compliant	E349212



Product Code	LED Quantity	V _f typ.	I _f	Consumption (W)	Color CCT (Kelvin)	Luminous Flux(lm) Tp:25°C	Bin (Rank) Code	Productivity of the Module
ML10C495-01OQ20	20 LED	14 V	250mA	3.5 W	2700K	590lm	KK	169lm/W
					3000K	610lm	KL	174lm/W
					4000K	640lm	KM	183lm/W
					6500K	640lm	KM	183lm/W
		14.25 V	350mA	5 W	2700K	810lm	KK	161lm/W
					3000K	830lm	KL	166lm/W
					4000K	880lm	KM	175lm/W
					6500K	880lm	KM	175lm/W

* Production tolerance of luminous flux and efficiency: ±10%